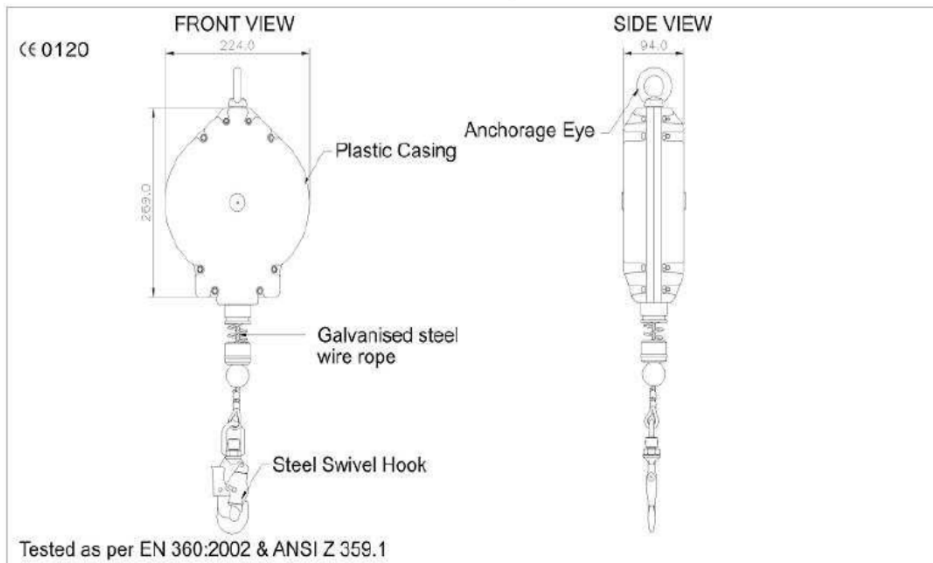




## RETRACTABLE FALL ARRESTOR

Réf. 71480



Barcodes : 3435241714800

## GENERAL DESCRIPTION AND MATERIALS

- retractable fall arrestor
- Galvanised steel wire rope, width :4.5mm
- Max. length : 10 m
- Weight : 6 kg (+/-50 g)

## SPECIFIC FEATURES

- Retractable
- swivel anchorage eye
- delivered with 1 connector 71121
- Static strength: 13KN for 3 min

## MAIN APPLICATION FIELDS

- Job in high places
- Construction and civil engineering

## PACKING

- Individual packing

## CE STANDARD

This energy absorber is in conformity with the model of individual safety equipment which correspond to

**The CE Type-examination certificate 3541 Issue 7 Ext 6**

Delivered by **SATRA (notified body n° 0321)**



EN 360:2002

Fall arrest with an automatic locking and an automatic abseiling tension system for the rope. An energy dissipation equipment can be added to this model.