

Data Sheet Plastic-Mop-Holder

Description:

Scandic Mono Holder 120cm

Art.No:

0212

Total Weight (± 10 g):

1080 g

Dimensions:

Length L:

9 cm

Width B1 :

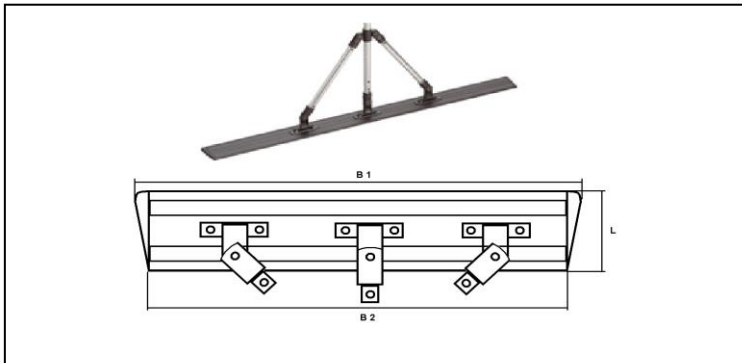
116 cm

Width B2:

112 cm

Diameter handle:

23,5 mm



Holder plate:

Material: **Polypropylen**

Color : **anthracite**

Joint Attachment:

Material: **Polyamid / Polypropylen**

Color: **anthracite**

Mop Attachment:

Material: **Velcro, 2 strips**

Dimensions: **560 x 22 mm (2x2)**

Handle Support:

Material: **Aluminium, anodized**

Dimensions: **Ø 23,5mm**

Special Feature:

For handles with diameters of **23,5 mm**.

All details are estimates only!

Information is subject to technical changes!

The issue of this data sheet replaces all previous versions!

Date:

02/26/2010

Name:

T. Flor

Release:

B. Bundschuh